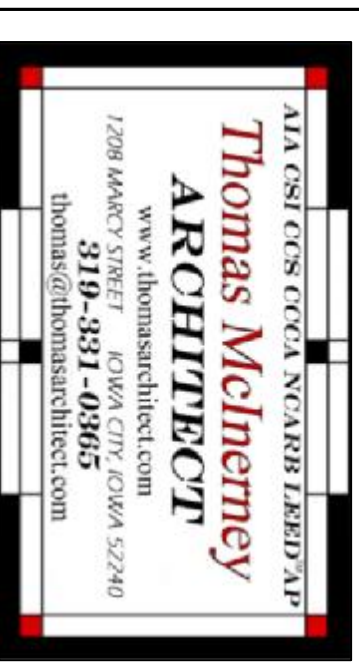


Architect:



ITEMS SHOWN ARE DIAGRAMMATIC AND ARE SHOWN FOR THE LIMITED PURPOSE OF INDICATING PROPOSED LOCATIONS OF THE DESIGN. CONTRACTORS SHALL PROVIDE WORK IN ACCORDANCE WITH ALL APPLICABLE CODES AND REGULATIONS REQUIRED BY THE AUTHORITY HAVING JURISDICTION. CONTRACTOR SHALL COORDINATE THE INSTALLATION OF NEW SYSTEMS WITH EXISTING SYSTEMS.

Thomas McInerney Architect reserves the right to determine a fair and equitable solution to any problems, mistakes, oversights or hidden damage. Please do not hesitate to phone our office at 319-331-0365, especially immediately upon discovery a conflict with the scope of work.

Please do not instinctively produce a solution or proceed with work that would result in a change order requiring reimbursement by the owner. Any solutions outside this policy shall be with prior approval and will be at the franchisee's or contractor's expense.



Project :
Addition to
Little Clippers
CHILD DEVELOPMENT CENTER
415 Deer View Drive
Tiffin, Iowa
PROPERTY PIN: 0628258011
Project number: 11.114

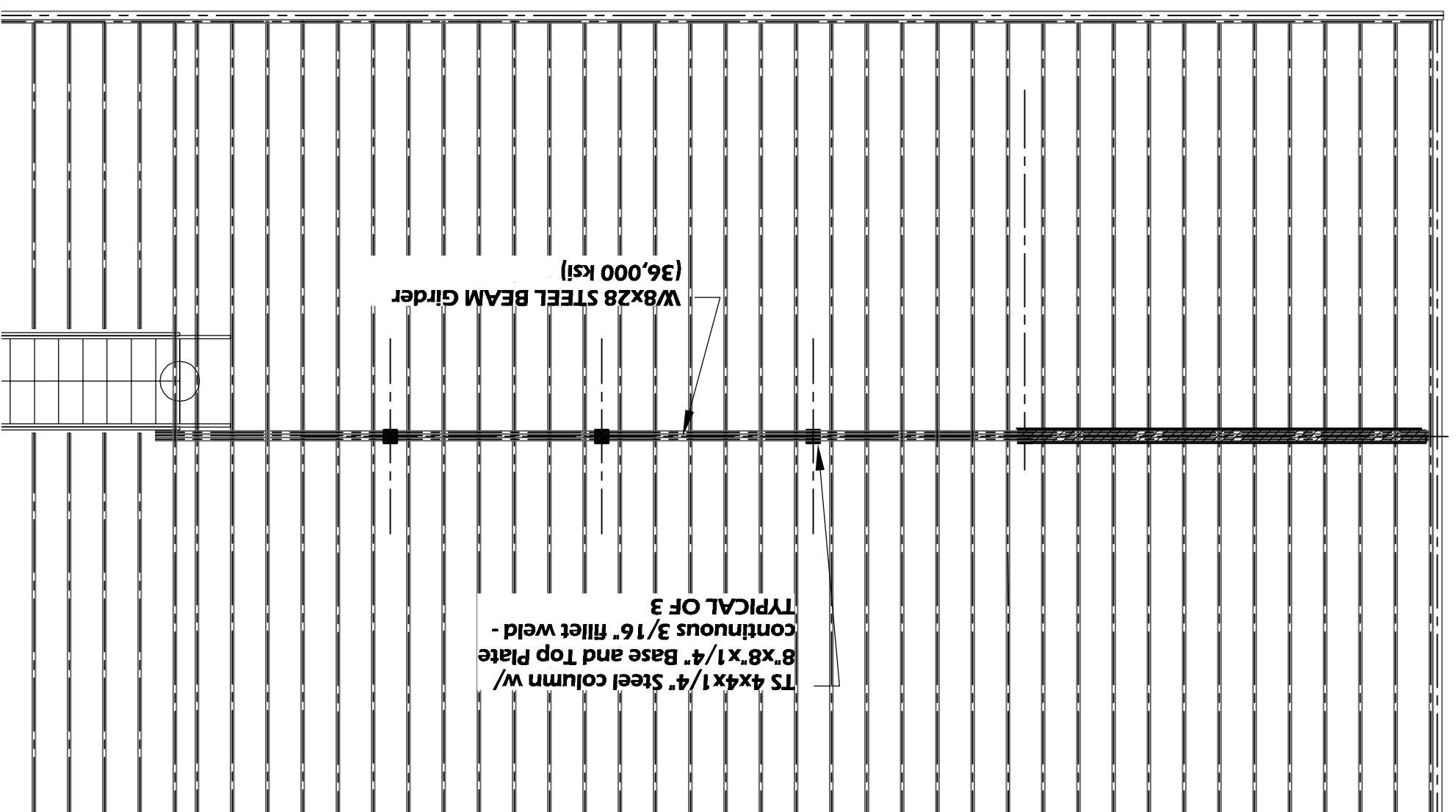
Note: © COPYRIGHT UNAUTHORIZED COPYING, DISCLOSURE OR CONSTRUCTION WITHOUT WRITTEN PERMISSION BY THOMAS MCINERNEY ARCHITECT, IS PROHIBITED.

Issue date:
Date Description
2011.06.30 owner review
2011.08.01 Contractor Review #2
2011.08.18 Steteh Building to North
2011.08.19 Changes

Sheet Title:
BASEMENT PLAN
Sheet Number:

ROOM		WALL FINISH AND TYPE								MATL	Height	NOTES
NO.	NAME	FIR	Base	NORTH	SOUTH	EAST	WEST					
69	STAIRS UP	CHRT #1	VINYL #1	PNT GYP BRD #1	PNT GYP BRD #1	PNT GYP BRD #1	PNT GYP BRD #1	ACT #2	8'-6"	-		
80	OPEN AREA	VCT #1	VINYL #1	PNT GYP BRD #1	PNT GYP BRD #1	PNT GYP BRD #1	PNT GYP BRD #1	PNT GYP BRD #1	8'-6"	-		
81	MECH	CONC	VINYL #1	PNT GYP BRD #1	PNT GYP BRD #1	PNT GYP BRD #1	PNT GYP BRD #1	PNT GYP BRD #1	8'-6"	-		
82	RR	VCT #1	VINYL #1	PNT GYP BRD #1	PNT GYP BRD #1	PNT GYP BRD #1	PNT GYP BRD #1	PNT GYP BRD #1	8'-6"	-		
83	RR	VCT #1	VINYL #1	PNT GYP BRD #1	PNT GYP BRD #1	PNT GYP BRD #1	PNT GYP BRD #1	PNT GYP BRD #1	8'-6"	-		
84	STORAGE	CONC	VINYL #1	PNT GYP BRD #1	PNT GYP BRD #1	PNT GYP BRD #1	PNT GYP BRD #1	PNT GYP BRD #1	8'-6"	-		

ROOM FINISH SCHEDULE



Framing Plan

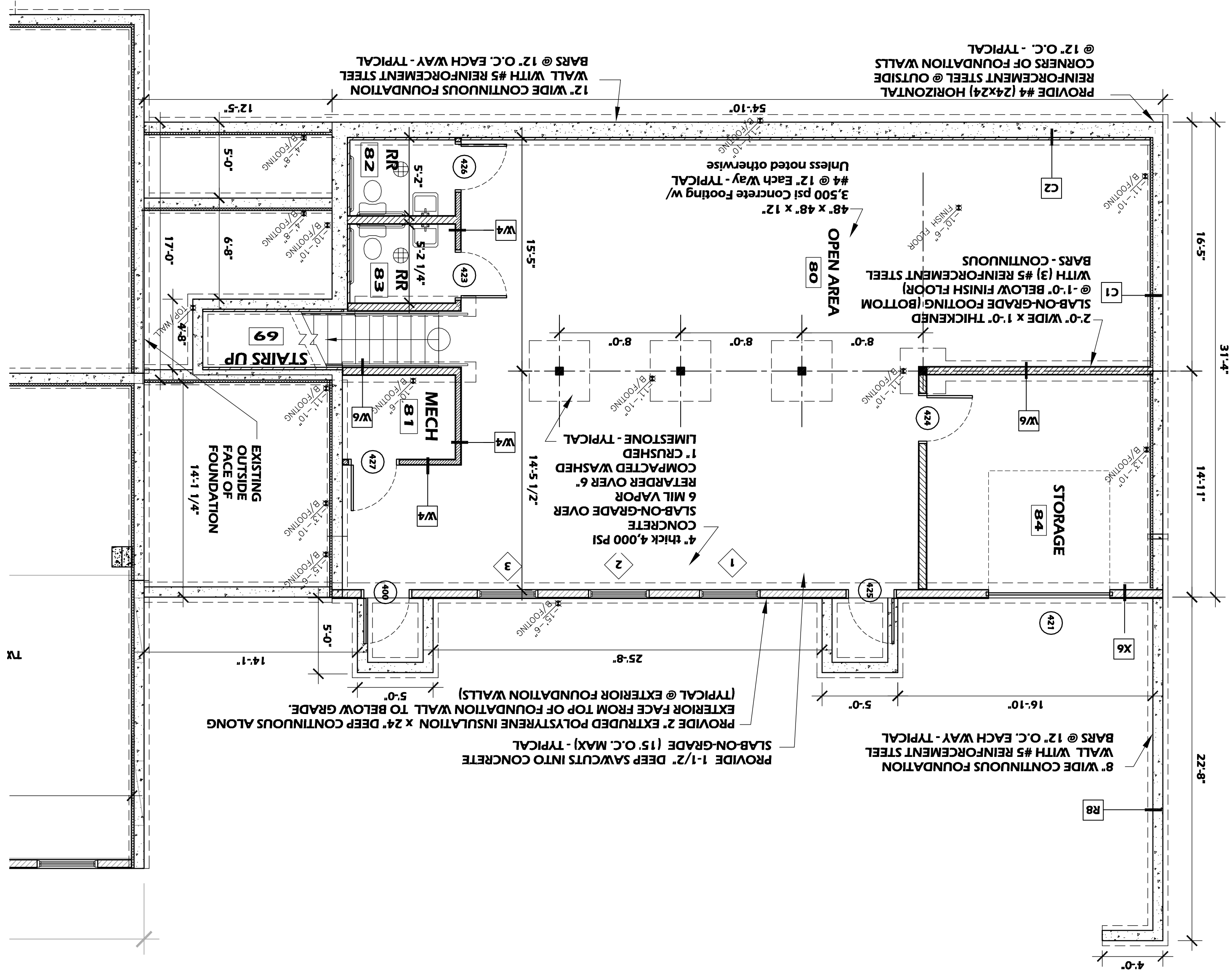
OCCUPANT LOAD TABLE - DAYCARE

Number	Room name	Occupancy	Net Area	OCCUPANCY LOAD FACTOR	OCCUPANT LOAD
69	STAIRS UP	N-A	63 SF	0	0
80	OPEN AREA	N-A	1,198 SF	35	34.2
81	MECH	Mech-Elec	51 SF	0	0
82	RR	N-A	37 SF	0	0
83	RR	N-A	228 SF	0	0
84	STORAGE	N-A	0	0	0
					1,612 SF

DOOR AND FRAME SCHEDULE

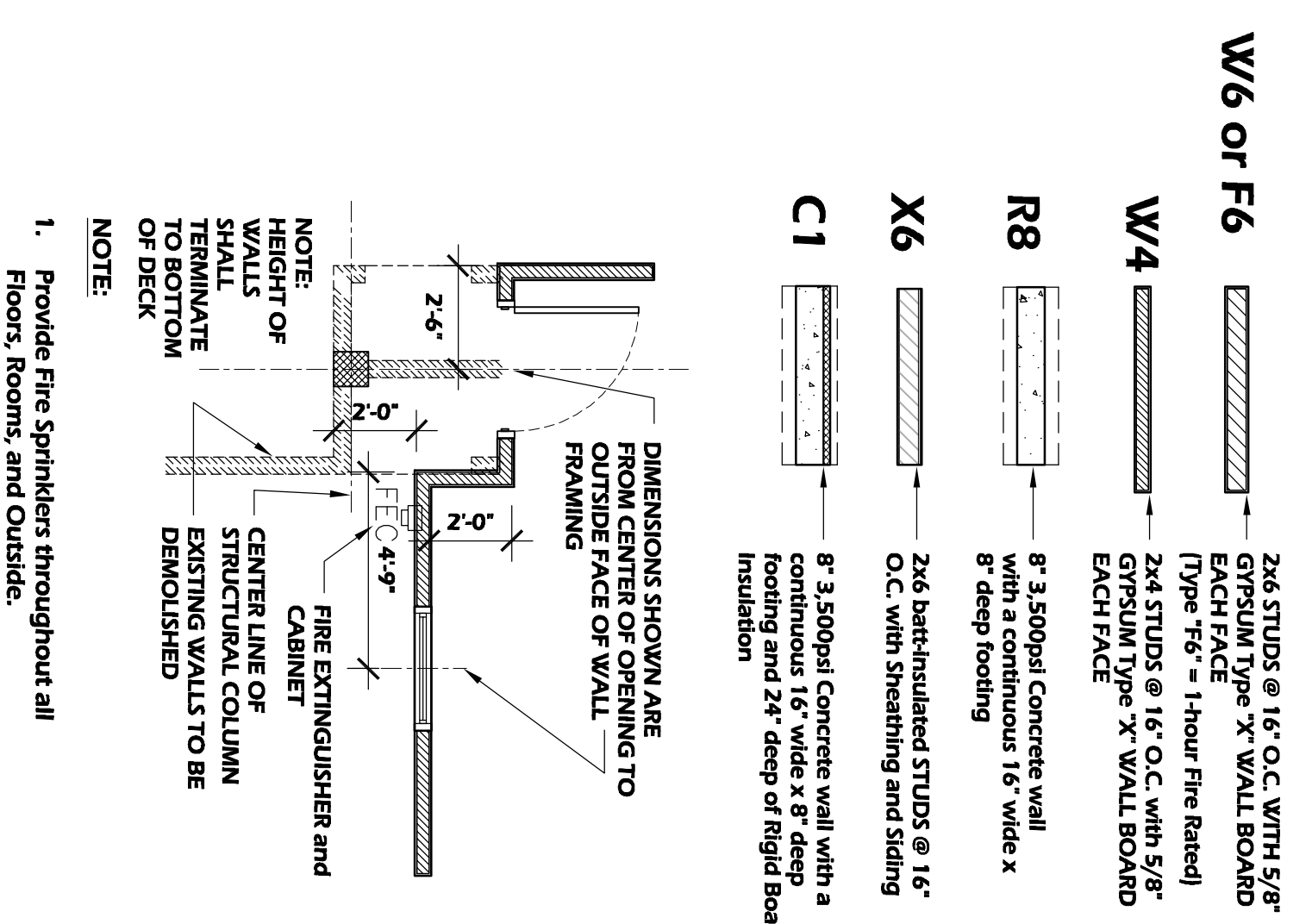
Number	ROOM	Style	SIZE-PR WxH	Fire Rating	NOTES
400	OPEN AREA	Hinged - single	3'-0" x 6'-8"	-	-
419	STORAGE	Hinged - single	8'-0" x 6'-8"	-	-
421	STORAGE	Overhead - sectional	3'-0" x 6'-8"	-	-
423	RR	Hinged - single	3'-0" x 6'-8"	-	-
424	STORAGE	Hinged - single	3'-0" x 6'-8"	-	-
425	OPEN AREA	Hinged - single	3'-0" x 6'-8"	-	-

Foundation Plan



WINDOW SCHEDULE

Quantity	MARK	SIZE	Sill Height	TOP OF WINDOW	TYPE	NOTES
1	1	4'-0" x 5'-0"	2'-0"	7'-0"	Double Hung	-
1	2	4'-0" x 5'-0"	2'-0"	7'-0"	Double Hung	-
1	3	4'-0" x 5'-0"	2'-0"	7'-0"	Double Hung	-



W6 OF F6
2x6 STUDS @ 16" O.C. WITH 5/8" GYPUM TYPE 'X' WALL BOARD EACH FACE - 1 hour Fire Rated

W4
2x4 STUDS @ 16" O.C. WITH 5/8" GYPUM TYPE 'X' WALL BOARD EACH FACE

R8
8" 3,500psi Concrete wall with a continuous 16" wide x 8" deep footing

X6
2x6 bar-nailed studs @ 16" O.C. with Sheathing and Sliding

C1
8" 3,500psi Concrete wall with a continuous 16" wide x 8" deep footing and 2x4" deep of rigid Board Insulation

Paint Schedule
Acceptable Paint Manufacturer Sherwin Williams
FIELD PAINT:
1 ct. Premium Wall & Wood Primer
2 cts. Duration Home Interior Semi-Gloss Color: SW6119, "Whole Wheat"

CEILING PAINT:
1 ct. Premium Wall & Wood Primer
2 cts. Duration Home Interior Semi-Gloss Color: SW6121, "Whole Wheat"

WOOD TRIM, Radiators, AND HOLLOW METAL FRAMES:
1 ct. Premium Wall & Wood Primer
2 cts. Duration Home Interior Acrylic-Alkyd Semi-Gloss Color: SW7027 "Well-Bred BROWN", GLOSS SHEEN