

RAFTER SPANS  
 FOR SUPPORTING A SHAKE ROOF OR ASPHALT SHINGLES  
 30# LIVE LOAD / 10# DEAD LOAD  
 DEFLECTION LIMIT BY L/240 FOR LIVE LOAD ONLY

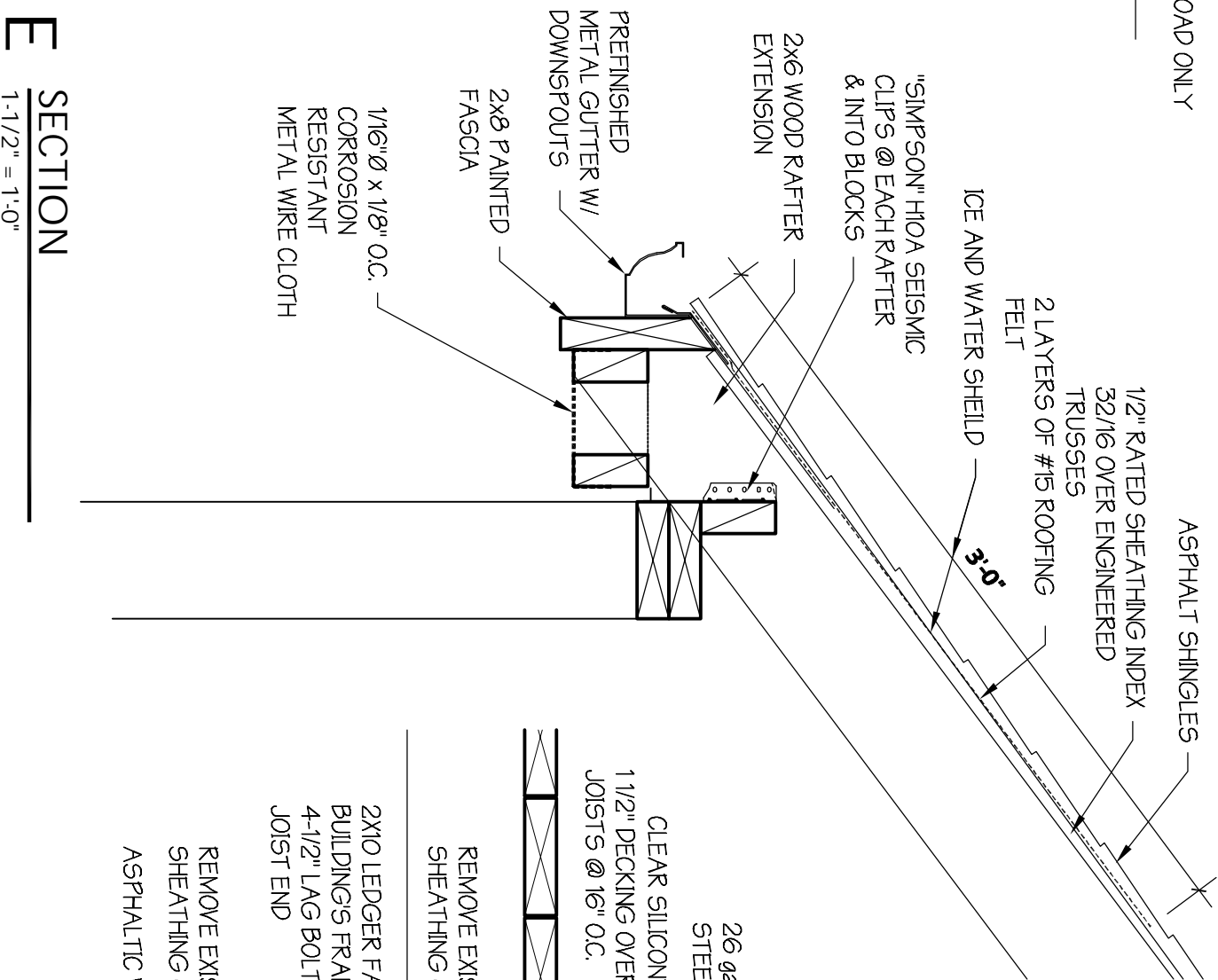
| MEMBER | SPACING  | NO. 2   |
|--------|----------|---------|
| 2x6    | 12" O.C. | 13'-5"  |
|        | 16" O.C. | 11'-11" |
| 2x8    | 24" O.C. | 9'-8"   |
|        | 12" O.C. | 17'-2"  |
|        | 16" O.C. | 15'-0"  |
| 2x10   | 24" O.C. | 12'-3"  |
|        | 12" O.C. | 21'-2"  |
|        | 16" O.C. | 18'-5"  |
| 2x12   | 24" O.C. | 15'-0"  |
|        | 12" O.C. | 24'-8"  |
|        | 16" O.C. | 21'-4"  |
|        | 24" O.C. | 17'-5"  |

LUMBER SPECIES  
 NO. 2 DOUGLAS FIR :

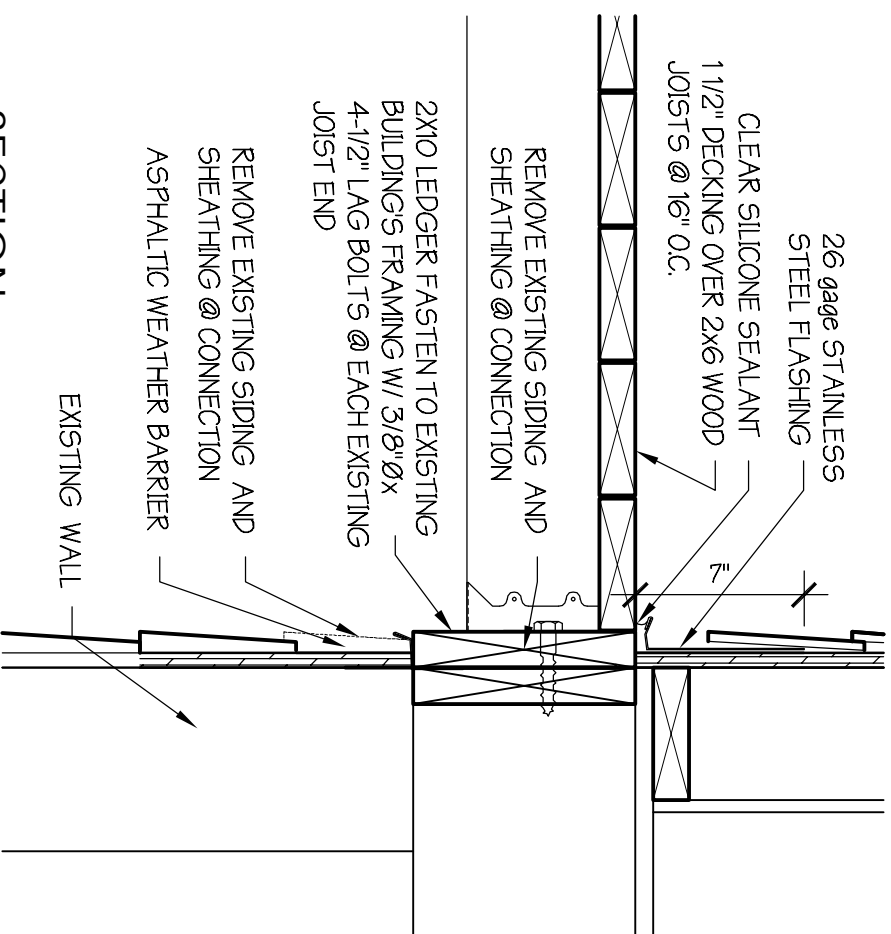
POSTS, BEAMS,  
 HEADERS, JOISTS,  
 WALL STUDS,  
 RAFTERS

NO. 3 DOUGLAS FIR :  
 SILL PLATES,  
 BLOCKING,  
 BRIDGING

- NOTE:
- WOOD LUMBER SHALL BE TREATED WOOD WITH AN ABOVE GROUND RATING.
  - FASTENERS SHALL BE STAINLESS STEEL.



ANY ELECTRICAL AND MECHANICAL ITEMS SHOWN ARE DIAGRAMMATIC AND ARE SHOWN FOR THE LIMITED PURPOSE OF INDICATING LOCATIONS OF REQUIRED FIXTURES. MECHANICAL AND ELECTRICAL CONTRACTORS SHALL PROVIDE DESIGNS IN ACCORDANCE WITH ALL APPLICABLE CODES AND REGULATIONS REQUIRED BY THE AUTHORITY HAVING JURISDICTION. CONTRACTOR SHALL COORDINATE THE INSTALLATION OF NEW SYSTEMS WITH EXISTING SYSTEMS.



AIA CSI CCS OCCA NCARB LEED® AP  
**Thomas McInerney**  
 ARCHITECT  
 www.thomasmcinerney.com  
 1208 MARCY STREET IOWA CITY, IOWA 52240  
 319-331-0365  
 thomasmcinerney@msn.com

Architect:

Owner:  
**JOHN HARTLEY**  
 1715 E STREET  
 IOWA CITY, IOWA

Project:

**DECK ADDITION**  
 1715 E STREET  
 IOWA CITY, IOWA

Project number: 10.18

Note: © COPYRIGHT  
 UNAUTHORIZED COPYING,  
 DISCLOSE OR CONSTRUCTION  
 WITHOUT WRITTEN PERMISSION  
 BY THOMAS MCINERNEY, ARCHITECT,  
 IS PROHIBITED.

Issue date:

| Date       | Description  |
|------------|--------------|
| 2010.09.17 | OWNER REVIEW |
|            |              |
|            |              |
|            |              |
|            |              |
|            |              |

Sheet Title:  
**DETAILS**

Sheet Number:  
**A-3**